

# DAM3-96

## Digital Threephase Ammeter

### General Description

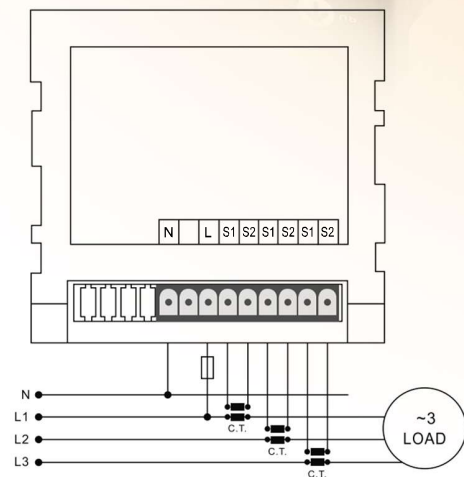
The DAM3 meter is designed to monitor three phase currents of 3P network at the same time. It helps to check three phase current status and find unbalance currents between phases.

### Specifications

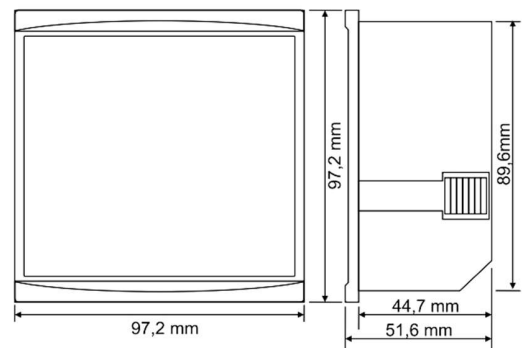
Operating Voltage(Un)	150V ~ 270V AC or 110VAC
Display	3x4 digit 14mm display
Input current range	0 ~ 5A
Max. input current	120% (6A )
Current Meas. Range	100mA ~ 6.0A
Current Transformer	5/5A ~ 9995/5A
CT input burden	0.5 VA
Operating Frequency	45-65Hz.
Accuracy	±1% FS
Operating Power	<6VA
Operating Temperature	-20°C ~ 55°C
Connection Type	Plug-in Terminal
Cable Diameter	1.5mm <sup>2</sup>
Weight	<220gr.
Panel Hole Sizes	91mm x 91mm
Mounting	Front panel mounted.
Operating Altitude	<2000 meter



### Connection diagram



### Dimension



### Setup CT Ratio

